



品质创造价值

QUALITY CREATES VALUE



DX210W-9

山东鹏程斗鑫机械有限公司

轮式挖掘机

Wheel Excavator

DX210W-9 Wheel excavator technical parameters

- ★ Exclusive highly efficient hydraulic control system and engine
- ★ Hydraulic system performance effectively aligns with output of engine
- ★ Energy loss is substantially controlled
- ★ Extraordinary slope travelling capability and travelling speed
- ★ Ideal fuel efficiency
- ★ Optimized structure and improved durability

Main Specifications

Engine

Model	Cummins/ISUZU
Type	Inline (Electric)
Turbo	Aspirated
Number of cylinders	6
Bore diameter	100mm
Piston stroke	125 mm
Rated power	133 kW

Slewing system

Drive mode	Hydraulic drive
Reduction mechanism	Planetary gear reduction
Swing Operation Brake	Diffuse Multi-Disc Brakes
Rotation speed	11rpm

Drives and Brakes

Steering control	Foot pedal and steering wheel controls
Drive mode	Hydraulic drive
Travel motor	Axial Piston Hydraulic Motor
Walking speed (high/low)	36/4km/hr
Operate the brake	Hydraulic brake
Parking brake	Wet Multi-Three Brakes

Working weight

(Operator, Lubricant, Coolant, Full Fuel Tank & Standard)

Boom	5,600mm
Stick	3,000mm
Bucket	SAE 0.86m ³
Working weight	20,100kg
Ground pressure	

Cylinder

Boom	120 mmX 85 mmX 1245 mm
Stick	135 mmX 95 mmX 1450 mm
Bucket	120 mmX 80 mmX 1060 mm

Hydraulic system

Hydraulic motor

Travel motor	Axial plunger X1
Swing Operation Brake	Wet Multi-Disc Brakes

Main pump

Type	Axial Piston Pump
Maximum flow	2X 231.7L/min(2,000rpm)

Fuel tank capacity

Fuel tank	350L
Hydraulic tank(FULL)	122L

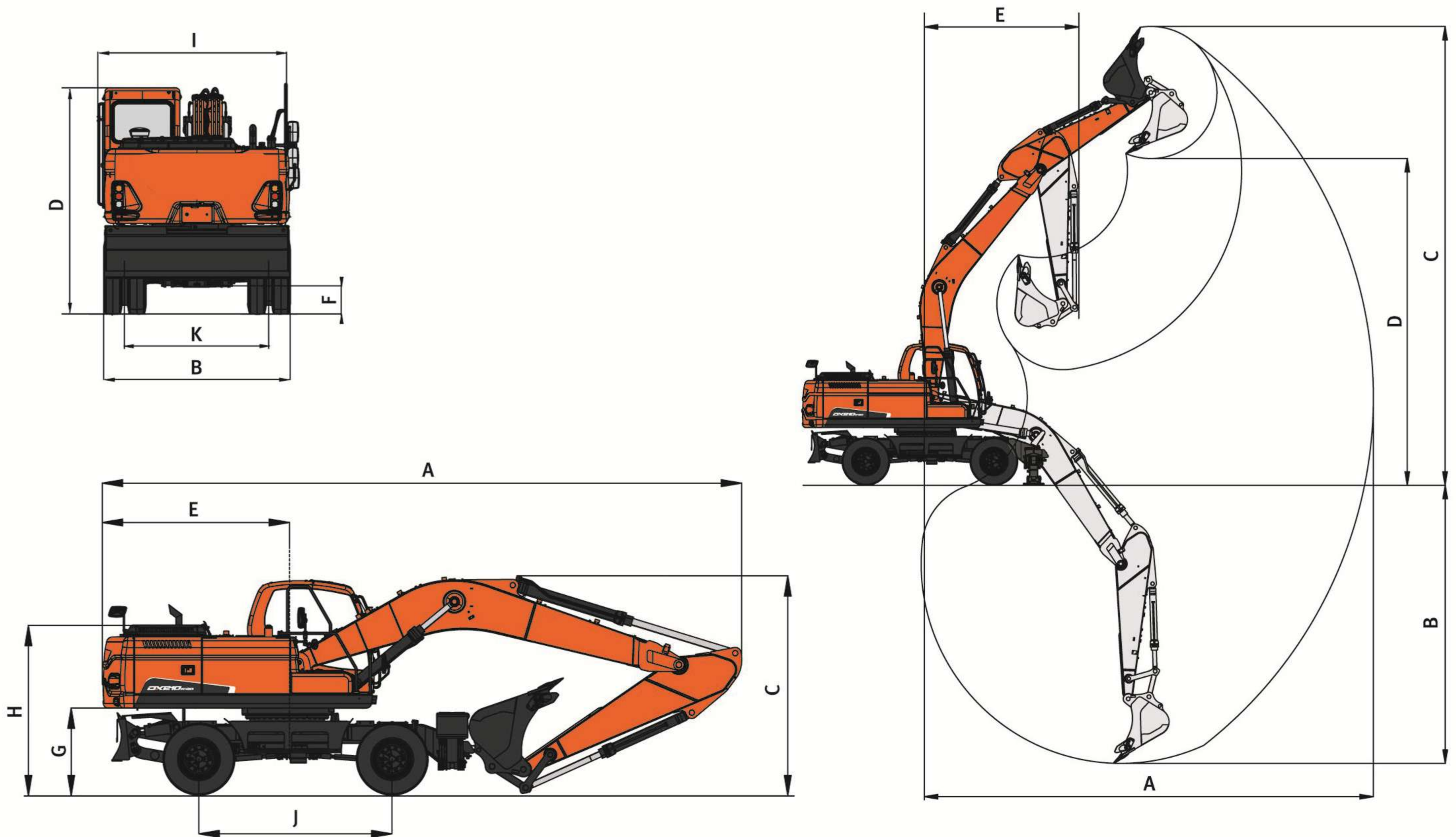
Maximum Digging Force (ISO)

Bucket	12.6 ton(123.5kN)
Bucket (power afterburner)	13.4 ton(131.3kN)
Stick	9.3 ton(91.1kN)
Stick (power afterburner)	9.9 ton(97.0kN)



鹏程斗鑫

Shandong Pengcheng Dooxin Construction Machinery Co., Ltd.
 Add: 418 Duoshan Road, Muping District, Yantai, Shandong Province, P. R. China
www.shandongpengcheng.com



DX210W-9 Wheel excavator

Dimensions

DX210W-9			
Transport Length	(mm)	A	9446
Transport Width	(mm)	B	2530
Transport Height (to top of boom)	(mm)	C	3290
Overall Height (to cab height)	(mm)	D	3140
Tail Turning Radius	(mm)	E	2750
Tire Center Axle Ground Clearance	(mm)	F	350
Counterweight High Ground Clearance	(mm)	G	1259
Engine Cover Ground Clearance	(mm)	H	2302
Turntable Width	(mm)	I	2530
Wheel Distance	(mm)	J	2850
Tire Distance	(mm)	K	1914

DX210W-9

Maximum Digging Radius	(mm)	A	10010
Maximum Excavation Depth	(mm)	B	6275
Maximum Excavation Height	(mm)	C	10370
Maximum Loading Height	(mm)	D	7430
Minimum Radius Of Gyration	(mm)	E	2655



鹏程斗鑫

Shandong Pengcheng Dooxin Construction Machinery Co., Ltd.
 Add: 418 Duoshan Road, Muping District, Yantai, Shandong Province, P. R. China
www.shandongpengcheng.com