

Dooxin 鹏程斗鑫

品质创造价值

QUALITY CREATES VALUE



DX230PC-9
山东鹏程斗鑫机械有限公司

履带式液压挖掘机
Crawler hydraulic Excavator

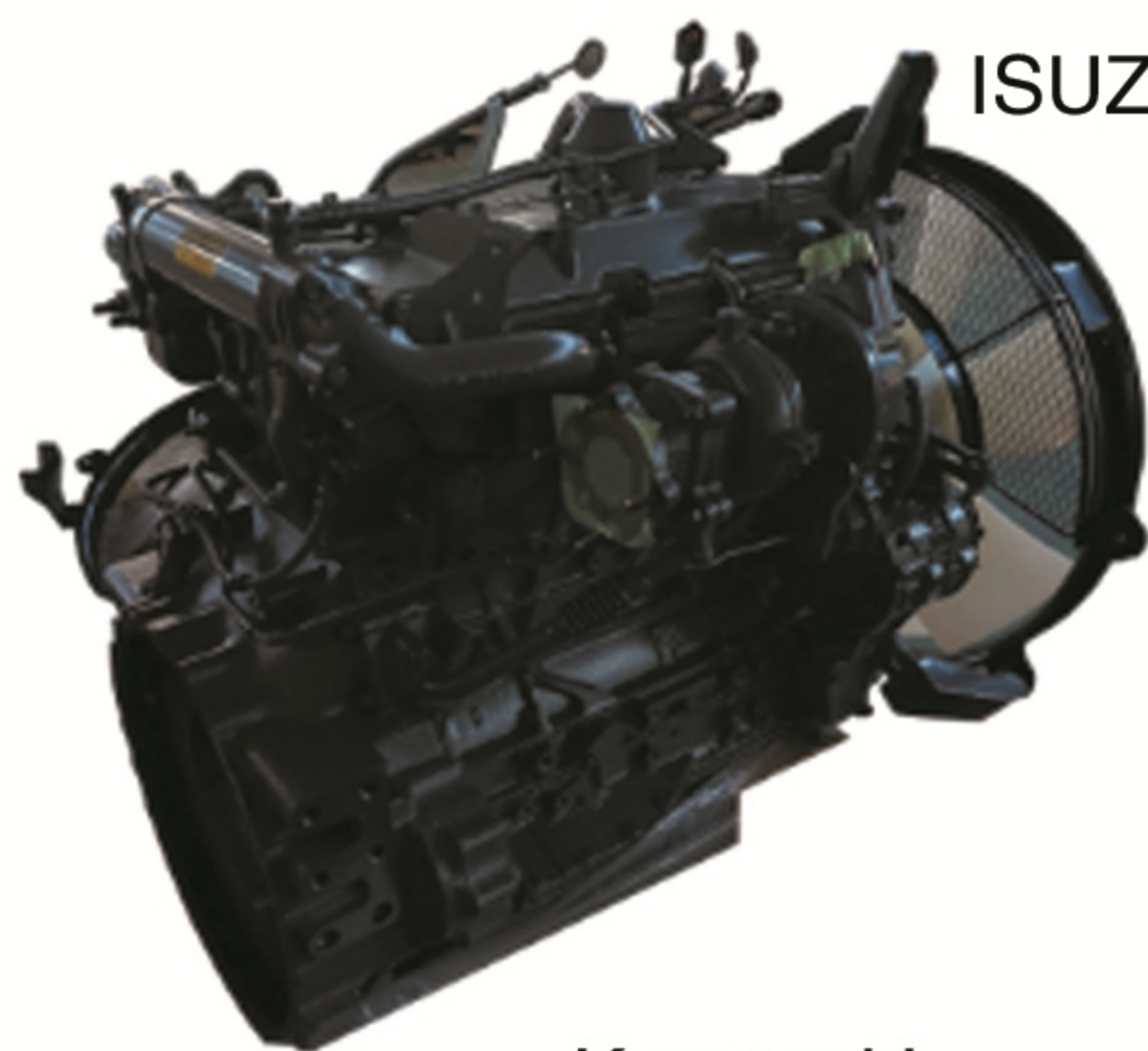
DX230PC-9

Product features:

- Adopt ISUZU high-quality turbo-charged engine, which is a fuel-efficient low-emission engine
- Advanced Kawasaki hydraulic system with excellent performance, reasonable match, and reliable quality
- Travel motor: DOOSAN
- Swing motor: Kawasaki
- Powerful travel traction
- Effectively prevent mixing of soil and rock
- The machine can finish all tasks that the driver wants and the highest working efficiency among the same tonnage products in the industry.
- Main structural parts including the boom, arm, bucket and the chassis are built by welding the new, high-strength structural parts together, to increase the strength of the structural and their service life.
- Safe and open engine hood
- Convenient and swift maintenance

Performance parameters

Weight	22.3T
Bucket capacity	1.2m ³
Engine rated power	112kw-135kw
Swing speed	10.7min ⁻¹
Travel speed (high/low)	5.9-3.2km/h
Ground specific pressure	43.5kpa
Gradeability (%)	70
Digging force	146.4KN
Implement Circuits	31.4mpa
Power Boost	34.3mpa
Swing Circuits	27.5mpa
Travel Circuits	34.3
Max. Rated Flow of main pumps	2X212l/min
Boom length	5700mm
Arm length	2900mm

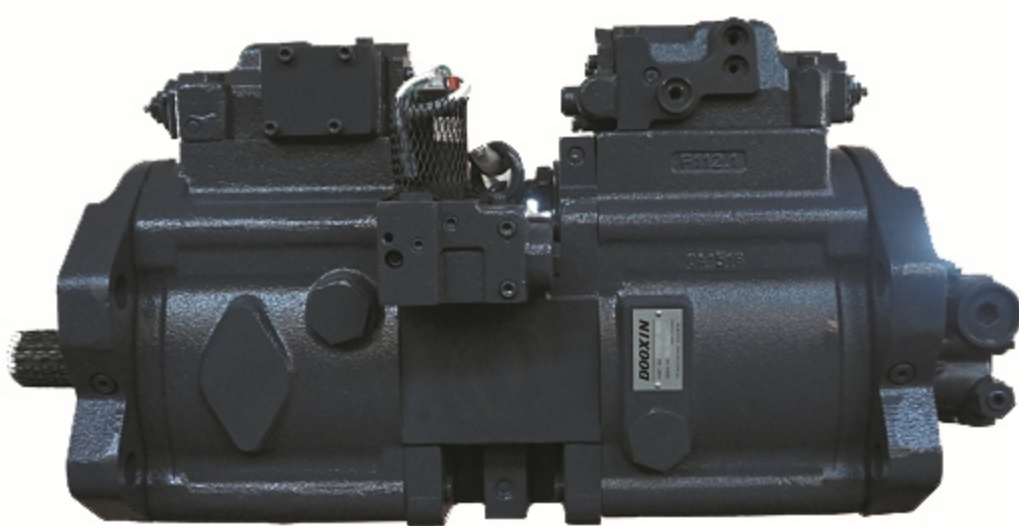


ISUZU 4HK1 engine

Working range

Maximum digging depth	6592mm
Maximum digging height	9616mm
Maximum unloading height	6830mm
Maximum digging radius	9873mm
Minimum turning radius	3560mm

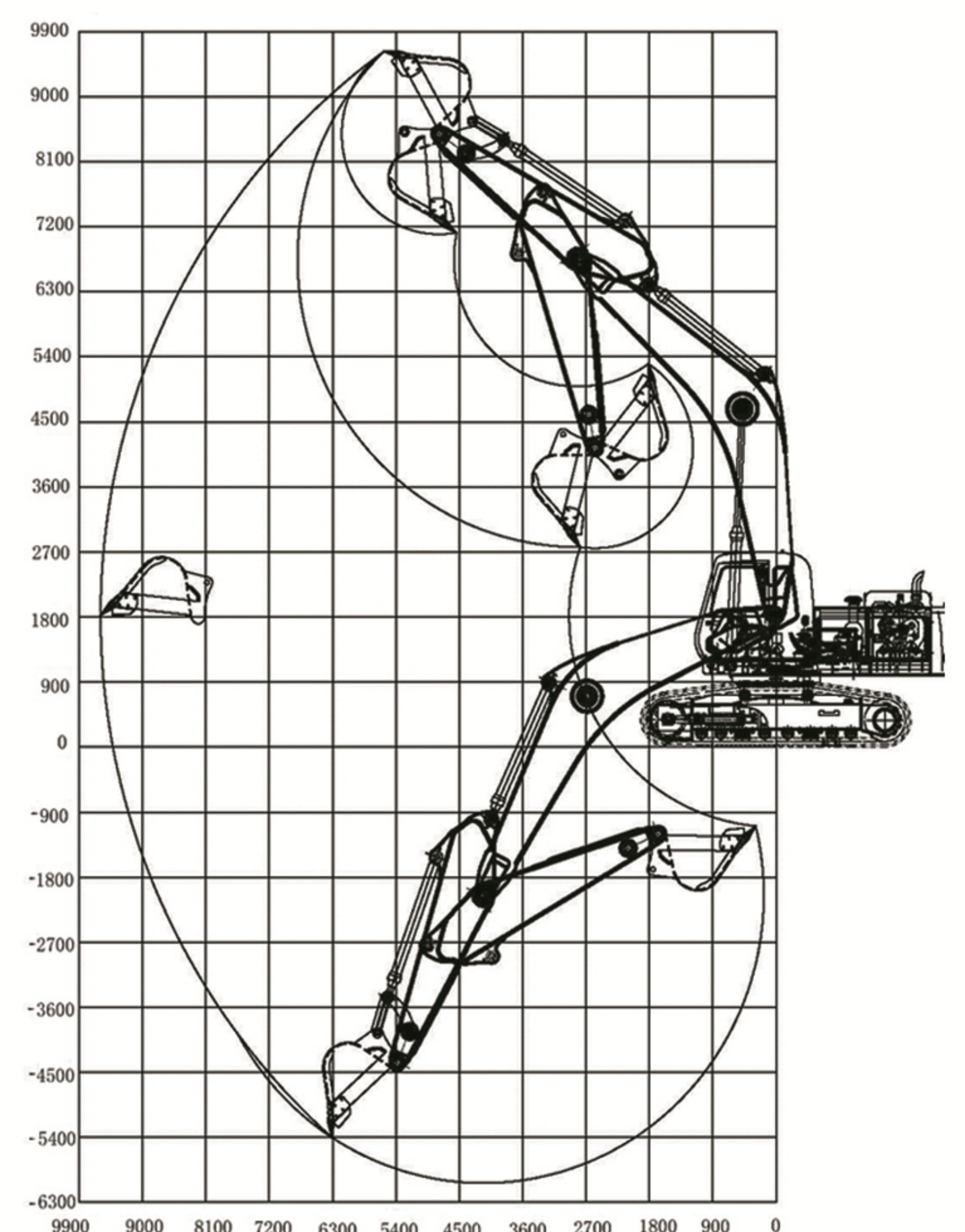
Kawasaki



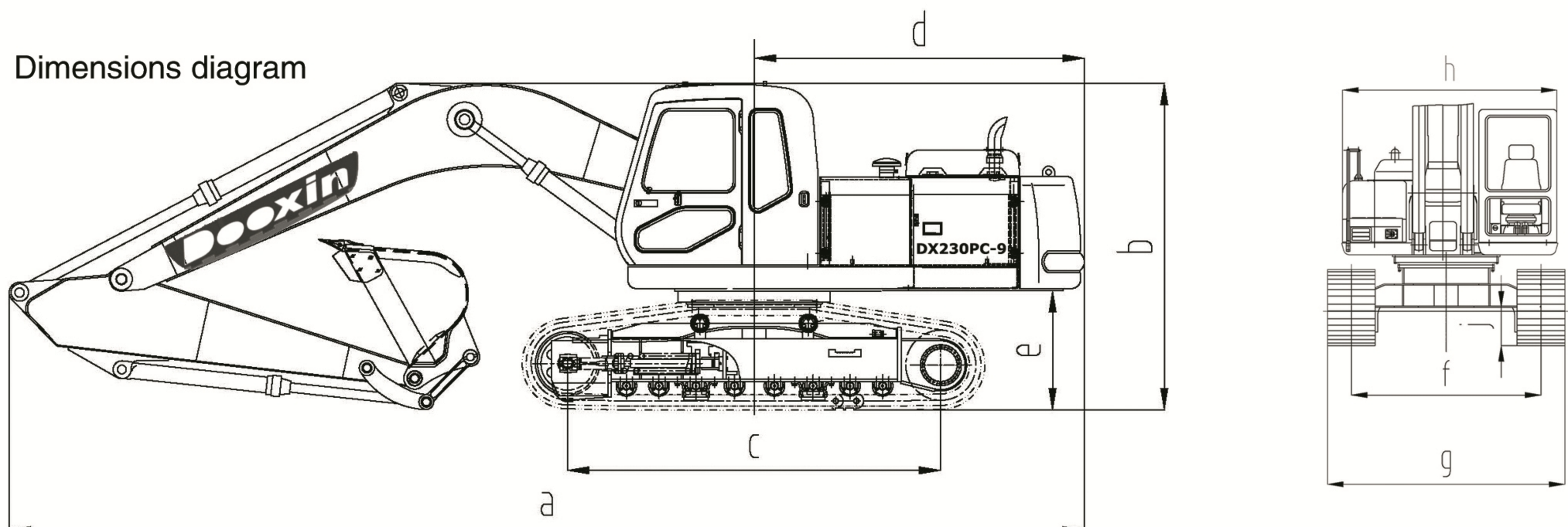
Dimensions

a	Transport length	9600mm
b	Transport arm height	3005mm
c	Tumblers distance	3635mm
d	Radius of gyration platform end	2794mm
e	Counter weight ground clearance	1096mm
f	Track gauge	2400mm
g	Total width of undercarriage	2980mm
h	Width of upper structure	2990mm
i	Width of track shoe	600mm
j	Ground clearance	475mm
k	Total length of travel mechanism	4440mm
l	Cabin height	845mm

Working range diagram



Dimensions diagram



鹏程斗鑫

Shandong Pengcheng Dooxin Construction Machinery Co., Ltd.
Add: 418 Duoshan Road, Muping District, Yantai, Shandong Province, P. R. China
www.shandongpengcheng.com